

State of Wyoming Corner Record

(in compliance with the CORNER PERPETUATION AND FILING ACT, Wyoming Statutes, 1977, Section 36-11-101, et. seq., and the Rules and Regulations of the Board of Registration for Professional Engineers and Professional Land Surveyors)

Reverse side of this form may be used if more space is needed.

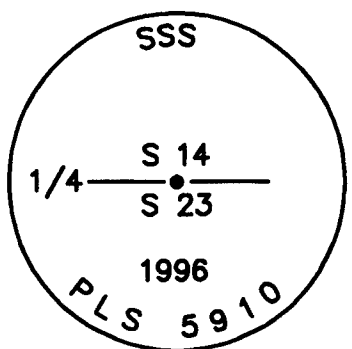
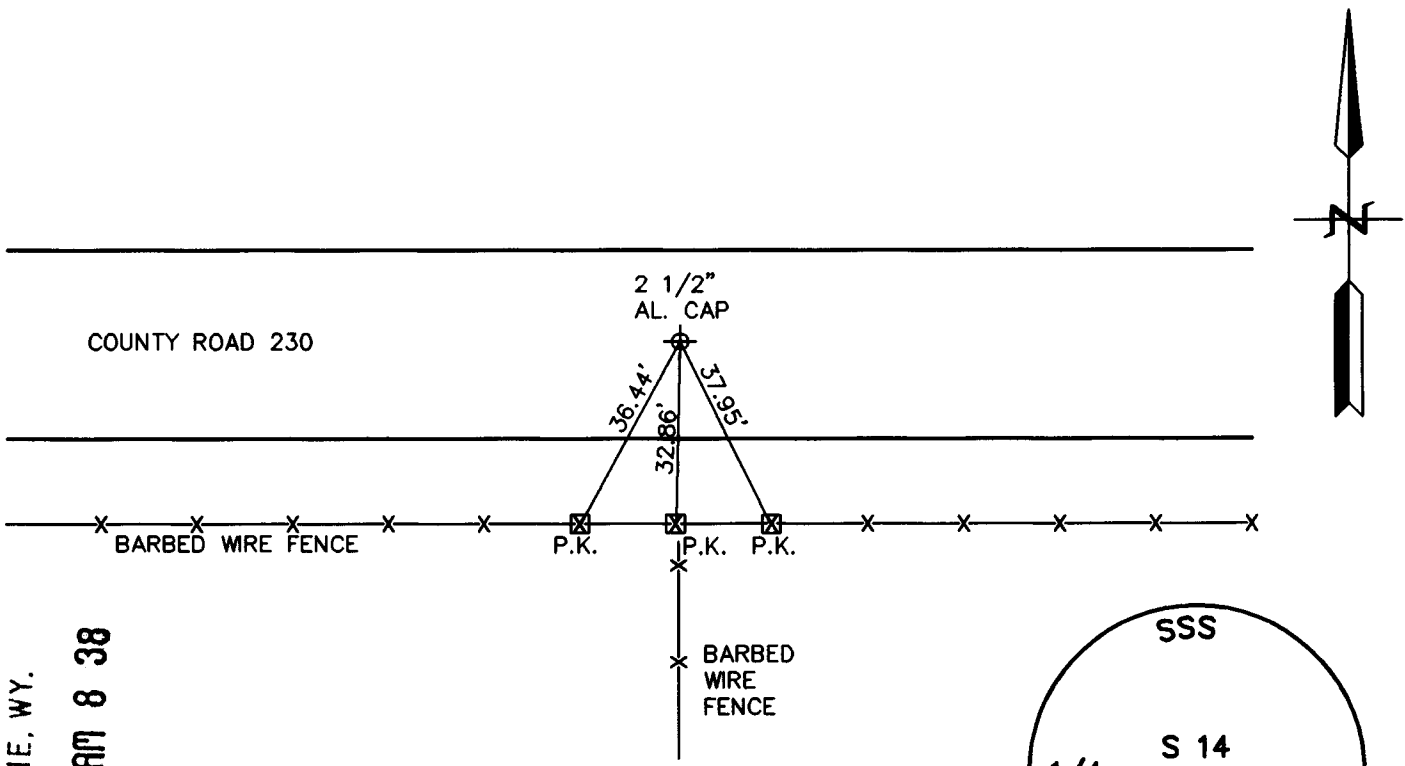
Record of original survey and citation of source of historical information (if corner is lost or obliterated). Description of corner monumentation evidence found and/or monument and accessories established to perpetuate the location of this corner. Sketch of relative location of monument, accessories, and reference points with course and distance to adjacent corner(s) (if determined in this survey). Method and rationale for reestablishment of lost or obliterated corner.

GLO RECORD: UNKNOWN

MONUMENT FOUND: NONE.

MONUMENT SET: SET A 5/8" X 24" REBAR WITH 2 1/2" ALUMINUM CAP, CAP MARKED AS SHOWN BELOW.
MONUMENT SET BY SINGLE PROPORTION.

REFERENCES: SET P.K.'S FOR REFERENCE.



197547
 LARAMIE COUNTY CLERK
 CHEYENNE, WY.
 '97 FEB 7 AM 8 38

Date of Field Work: 7-16-96 Office Reference: 96179

Firm/Agency, Address

STEIL SURVEYING SERVICES, LLC.
1102 WEST 19th STREET
CHEYENNE WY 82001
 Telephone Number: (307) 634-7273

This corner record was prepared by me or under my direction and supervision.
 SEAL & SIGNATURE

CROSS INDEX DIAGRAM

A	1	2	3	4	5	6	7	8	9	10	11	12	13	14	15	16	17	18	19	20	21	22	23	24	25	26
B																										
C	6																									
D		5																								
E			4																							
F				3																						
G					2																					
H																										
I																										
J																										
K																										
L																										
M																										
N																										
O																										
P																										
Q																										
R																										
S																										
T																										
U																										
V																										
W																										
X																										
Y																										
Z																										



BOOK 1443

Corner Name: NORTH 1/4 Section: 23 T. 17N. R. 61W. 6th P.M. Cross-Index No.: N-19
 SBRPEPLS/PLSW: March 1994

0958